



Keystone Certifications, Inc.
 1790 Old Trail Road, Suite D
 Etters, PA 17404 / Phone 717-932-8500

Notice of Product Certification Authorization

National Fenestration Rating Council

Issued To:

Manufacturer: Dove Vinyl Windows
 Address: 767 San Souci Parkway
 Wilkes-Barre, PA 18702
 NFRC Code: DWV
 Cert Date: 11/7/2005

Certification Number

3581

Product Line Number

DWV - K - 014

The Following NFRC Product Line Has Been Authorized For Certification:

Model / Series: 6100 Repl / NC Horizontal Slider
 Operator Type: HSXX
 Frame Type: VY
 Sash Type: VU
 Exp. Date: 9/30/2009

Ratings Authorized For Certification:

Rating	Property	Authorized
NFRC 100	U-factor	<input checked="" type="checkbox"/>
NFRC 200	Solar Heat Gain Coefficient	<input checked="" type="checkbox"/>
NFRC 200	Visible Light	<input checked="" type="checkbox"/>
NFRC 400	Air Leakage	<input type="checkbox"/>
NFRC 500	Condensation Resistance	<input checked="" type="checkbox"/>

Conditions And Criteria For Product Certification Authorization:

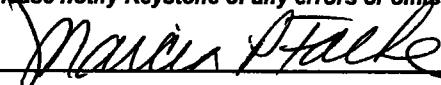
Manufacturer Agrees To The Following Conditions And Criteria Per The NFRC PCP:

- 3.1A Products are marketed consistent to the simulated products.
- 3.1B Waiver requests shall be submitted to IA prior to marketing new products.
- 3.1C Only products with labels shall be considered certified.
- 3.1D Only products authorized for certification shall be labeled.
- 3.1E Manufacturer shall designate individual responsible for the proper labeling.
- 3.1F Manufacturer shall not use labels that are false, inaccurate or misleading.
- 3.2A Manufacturer shall maintain a documented in-plant quality control program.
- 3.2B Quality control records shall be maintained for 4 years.
- 3.2C Manufacturer shall have staff to properly inspect and maintain quality control records.
- 3.3A Manufacturer shall have temporary labels approved prior to printing.
- 3.3B, C Manufacturer agrees to the proper use of temporary and permanent labels.
- 3.5 Manufacturer agrees to obtain permission from NFRC to use the NFRC Certification Mark.

Attached are the Certification Authorization Reports printed from the NFRC database.

The Manufacturer is authorized to label the options listed in the reports.

Please notify Keystone of any errors or omissions within 10 days of receipt.

Authorized Signature:  Date: 11-7-05

Due diligence was used in authorizing these products for certification. By accepting this report the licensee agrees to hold harmless and indemnify Keystone Certifications, Inc. from all claims or liabilities which may arise based on this certification authorization. Certification authorization is based on NFRC program requirements and simulation and test reports from accredited laboratories.

NFRC Product Certification Authorization Report



IA: Keystone Certifications, Inc.

Manufacturer: Dove Vinyl Windows
 Product Series: 8100 Series Replacement / New Construction Horizontal Slider
 Simulation Lab: SAT1
 Test Date: 9/30/2005
 Revised Date: 10/24/2005
 Air Leakage:

Street: 767 Sans Souci Parkway
 Type: Horizontal Slider

City/State/Zip: Wilkes-Barre, PA 18706
 CPD Number: DWW-K-14

Simulation Report Date: 8/16/2005
 Initial Certification Date: 11/7/2005
 Expiration Date: 9/30/2009

Simulation Report Number: 58972.02-116-45 R2
 Re-Certification Date:
 Print Date: 11/07/2005

Product ID	Configuration	Method	Area	U-Value	Method	Area	U-Value	Method	Area	U-Value	Method	Area	U-Value	Method	Area	U-Value	Method	Area	U-Value	
00001	dr/cir - ds	VYM	2	0.6250	CU-D	AIR	N	CL	0.46	0.56	0.60	46								
00001-00001	dr/cir - ds	VYM	2	0.6250	CU-D	AIR	G	0.75	CL	0.46	0.50	0.53	46							
00001-00002	dr/cir - ds	VYM	2	0.6250	CU-D	AIR	G	1.5	CL	0.46	0.45	0.47	46							
00002	035/cir - ds	VYM	2	0.035 (2)	0.6250	CU-D	AIR	N	LE	0.34	0.29	0.53	58							
00002-00001	035/cir - ds	VYM	2	0.035 (2)	0.6250	CU-D	AIR	G	0.75	LE	0.34	0.26	0.47	58						
00002-00002	035/cir - ds	VYM	2	0.035 (2)	0.6250	CU-D	AIR	G	1.5	LE	0.34	0.23	0.42	58						
00003	035/arg/cir - ds	VYM	2	0.035 (2)	0.6250	CU-D	ARG	N	LE	0.30	0.29	0.53	60							
00003-00001	035/arg/cir - ds	VYM	2	0.035 (2)	0.6250	CU-D	ARG	G	0.75	LE	0.30	0.26	0.47	60						
00003-00002	035/arg/cir - ds	VYM	2	0.035 (2)	0.6250	CU-D	ARG	G	1.5	LE	0.30	0.23	0.42	60						
00004	035/kry/cir - ds	VYM	2	0.035 (2)	0.6250	CU-D	KRY	N	LE	0.29	0.29	0.53	61							
00004-00001	035/kry/cir - ds	VYM	2	0.035 (2)	0.6250	CU-D	KRY	G	0.75	LE	0.29	0.26	0.47	61						
00004-00002	035/kry/cir - ds	VYM	2	0.035 (2)	0.6250	CU-D	KRY	G	1.5	LE	0.29	0.23	0.42	61						
00005	dr/cir - ds	VYM	2	0.6250	ZF-S	AIR	N	CL	0.45	0.56	0.60	45								
00005-00001	dr/cir - ds	VYM	2	0.6250	ZF-S	AIR	G	0.75	CL	0.45	0.50	0.53	45							
00005-00002	dr/cir - ds	VYM	2	0.6250	ZF-S	AIR	G	1.5	CL	0.45	0.45	0.47	45							
00006	035/cir - ds	VYM	2	0.035 (2)	0.6250	ZF-S	AIR	N	LE	0.33	0.29	0.53	58							
00006-00001	035/cir - ds	VYM	2	0.035 (2)	0.6250	ZF-S	AIR	G	0.75	LE	0.33	0.26	0.47	58						
00006-00002	035/cir - ds	VYM	2	0.035 (2)	0.6250	ZF-S	AIR	G	1.5	LE	0.33	0.23	0.42	58						
00007	035/arg/cir - ds	VYM	2	0.035 (2)	0.6250	ZF-S	ARG	N	LE	0.29	0.29	0.53	61							
00007-00001	035/arg/cir - ds	VYM	2	0.035 (2)	0.6250	ZF-S	ARG	G	0.75	LE	0.29	0.26	0.47	61						
00007-00002	035/arg/cir - ds	VYM	2	0.035 (2)	0.6250	ZF-S	ARG	G	1.5	LE	0.29	0.23	0.42	61						
00008	035/kry/cir - ds	VYM	2	0.035 (2)	0.6250	ZF-S	KRY	N	LE	0.28	0.29	0.53	60							
00008-00001	035/kry/cir - ds	VYM	2	0.035 (2)	0.6250	ZF-S	KRY	G	0.75	LE	0.28	0.26	0.47	60						
00008-00002	035/kry/cir - ds	VYM	2	0.035 (2)	0.6250	ZF-S	KRY	G	1.5	LE	0.28	0.23	0.42	60						
00009	035/cir - ss - 1"	VYM	2	0.035 (2)	0.7500	ZF-S	AIR	N	LE	0.33	0.28	0.53	56							
00009-00001	035/cir - ss - 1"	VYM	2	0.035 (2)	0.7500	ZF-S	AIR	G	0.75	LE	0.33	0.26	0.47	56						
00009-00002	035/cir - ss - 1"	VYM	2	0.035 (2)	0.7500	ZF-S	AIR	G	1.5	LE	0.33	0.23	0.42	56						
00010	035/arg/cir - ss - 1"	VYM	2	0.035 (2)	0.7500	ZF-S	ARG	N	LE	0.30	0.29	0.53	58							
00010-00001	035/arg/cir - ss - 1"	VYM	2	0.035 (2)	0.7500	ZF-S	ARG	G	0.75	LE	0.30	0.26	0.47	58						
00010-00002	035/arg/cir - ss - 1"	VYM	2	0.035 (2)	0.7500	ZF-S	ARG	G	1.5	LE	0.30	0.23	0.42	58						
00011	035/kry/cir - ss - 1"	VYM	2	0.035 (2)	0.7500	ZF-S	KRY	N	LE	0.28	0.29	0.53	60							
00011-00001	035/kry/cir - ss - 1"	VYM	2	0.035 (2)	0.7500	ZF-S	KRY	G	0.75	LE	0.28	0.26	0.47	60						
00011-00002	035/kry/cir - ss - 1"	VYM	2	0.035 (2)	0.7500	ZF-S	KRY	G	1.5	LE	0.28	0.23	0.42	60						
00012	035/035/cir - ss - 1"	VYM	3	0.035 (2) / 0.035 (3)	0.3590	ZF-S	AIR	N	LE	0.29	0.25	0.44	61							
					0.3590	AIR														

NFRC Product Certification Authorization Report

IA: Keystone Certifications, Inc.

Manufacturer: Dove Vinyl Windows
 Product Series: 8100 Series Replacement / New Construction Horizontal Slider

Street: 767 Sans Souci Parkway
 Type: Horizontal Slider

City/State/Zip: Wilkes-Barre, PA 18706
 CPD Number: DWW-K-14

00013	035/035/cir - ss - 1"	VYM	3	0.035 (2) / 0.035 (3)	0.35900	ZF-S	AIR	G	0.75	LE	0.29	0.22	0.39	61						
00013-00001	035/035/cir - ss - 1"	VYM	3	0.035 (2) / 0.035 (3)	0.35900	ZF-S	AIR	G	1.5	LE	0.29	0.20	0.34	61						
00014	035/arg/035/arg/cir - ss - 1"	VYM	3	0.035 (2) / 0.035 (3)	0.35900	ZF-S	ARG	N	LE	0.26	0.25	0.44	63							
00015	035/arg/035/arg/cir - ss - 1"	VYM	3	0.035 (2) / 0.035 (3)	0.35900	ZF-S	ARG	G	0.75	LE	0.26	0.22	0.39	63						
00015-00001	035/arg/035/arg/cir - ss - 1"	VYM	3	0.035 (2) / 0.035 (3)	0.35900	ZF-S	ARG	G	1.5	LE	0.26	0.20	0.34	63						
00016	035/kry/035/kry/cir - ss - 1"	VYM	3	0.035 (2) / 0.035 (3)	0.35900	ZF-S	KRY	N	LE	0.23	0.25	0.44	66							
00017	035/kry/035/kry/cir - ss - 1"	VYM	3	0.035 (2) / 0.035 (3)	0.35900	ZF-S	KRY	G	0.75	LE	0.23	0.22	0.39	66						
00017-00001	035/kry/035/kry/cir - ss - 1"	VYM	3	0.035 (2) / 0.035 (3)	0.35900	ZF-S	KRY	G	1.5	LE	0.23	0.20	0.34	66						
06	00018	Test option	VYM	3	0.035 (2) / 0.035 (5)	0.35900	ZF-S	ARG	N	LE	0.22	0.25	0.44							
					0.3590	ARG														

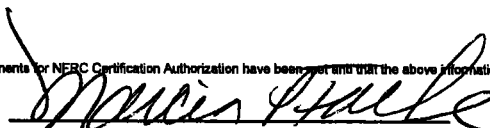
Baseline Information

Test Lab	Test Date	Test Size	Tested U-Value	Standard U-Value	Test Report Number
TATM	9/30/2005	69 X 47	0.20	0.20	58973.02-201-46

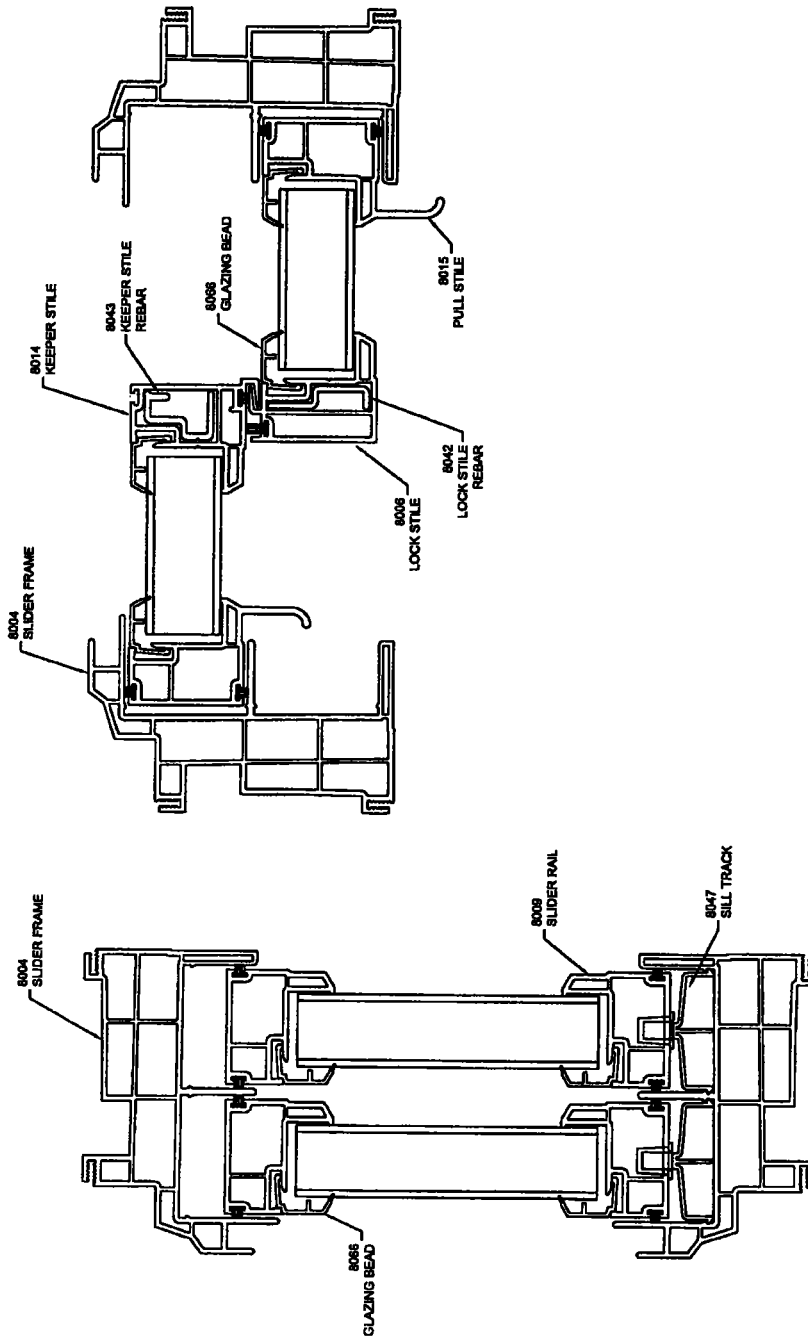
Comments:

I hereby certify that all requirements for NFRC Certification Authorization have been met and that the above information is true and correct, to the best of my knowledge.

Authorized IA Signature:



20090008



PRELIMINARY PART 8		MODEL 8000-H-1000	SCALE
TITLE		REPLACEMENT XX SLIDER	NTB-1
DESIGNED BY:	EAS	DATE	10-08-04
CHECKED BY:		APPROVED BY:	
DRAWN BY:		DRAWING NO.	
DATE		DATE	
BY		BY	
NO. REVISION		NO. REVISION	

CHELSEA BUILDING PRODUCTS, INC.
 565 CEDAR WAY, OQUONNET PA, 18938

COMPONENT 8000

THIS DRAWING AND ITS CONTENTS ARE THE SOLE PROPERTY OF CHELSEA BUILDING PRODUCTS, INC. ANY UNAUTHORIZED USE OR REPRODUCTION IS STRICTLY PROHIBITED.



Architectural Testing

Client Chelsea

Report # 58972

Date 8-16-05

Tech JRD

Keystone Certifications, Inc.

Scanning Separator Page - Product - NFRC Documents

Dove Vinyl Windows - NFRC - CAR

Category



Cust_ID



Model_Name

6100 Repl / NC Horizontal Slider

CAR_NO



Rept_NO

58972.02-116-45-R1

Exp_Date

